

The robin buries
Her beak in ruffled feathers ...
Sun and wind, both cold.

Michael Dunne
Harvest, AL



JM Reinhold & Maria Washington

Edited by



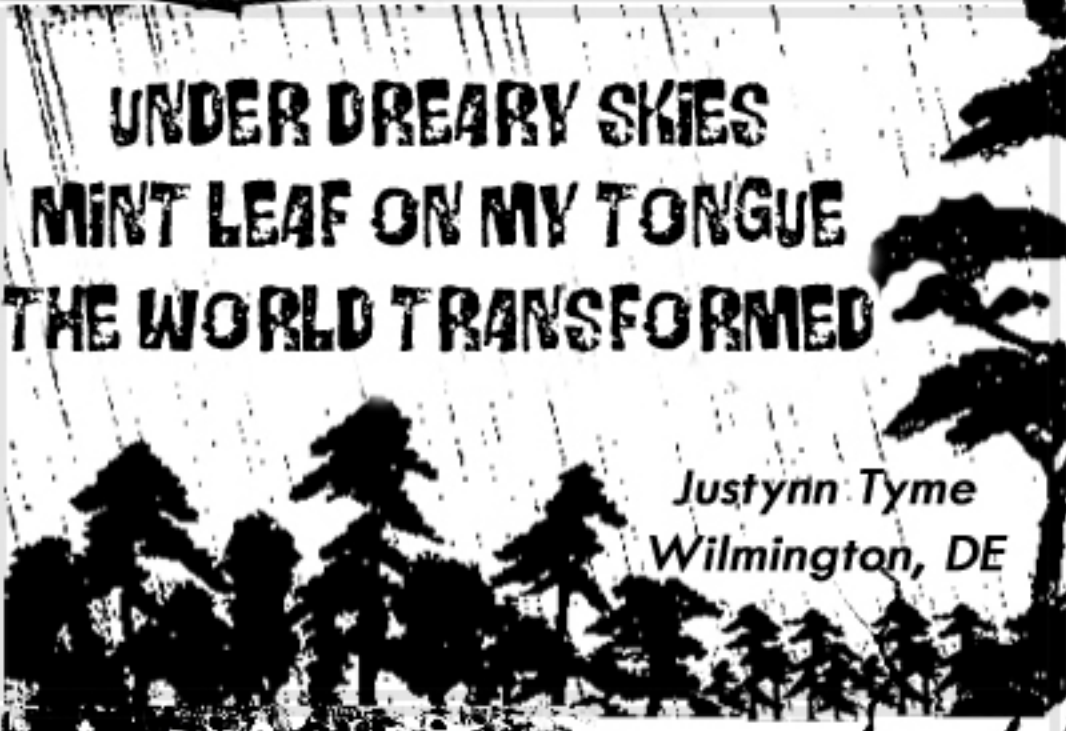
A Micro-Zine of Haiku Poetry
THE CICADAS CRY
AUTUMN 2015

ELBY ROGERS JANE MILLER
ERNESTUS JIMINY CHALD
CAROL GRANDPELL SCOTT
JUSTYNN TYME MICHAEL DUNNE

Email:
thecicadascry.editors@gmail.com
© TCC 2015 Design: Justynn Tyme

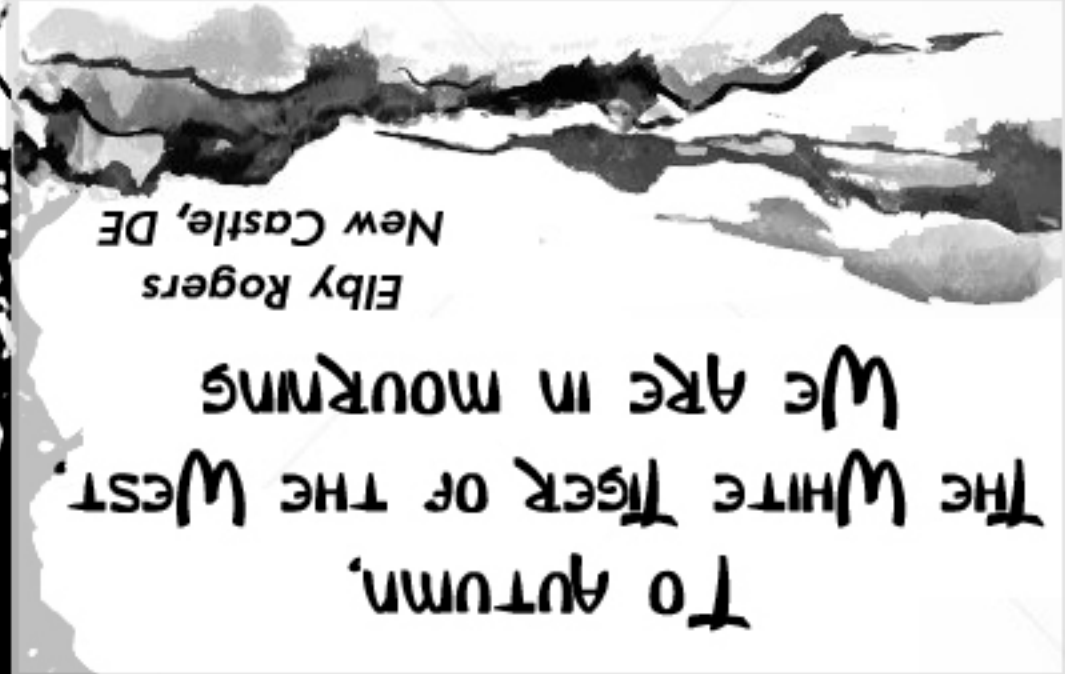
UNDER DREARY SKIES
MINT LEAF ON MY TONGUE
THE WORLD TRANSFORMED

Justynn Tyme
Wilmington, DE



WISHING TO REACH YOU
YOUR PICTURES
HOLDING SECRETS
ANCESTORS HAUNT ME

Carol Grandell Scott
Wilmington, DE



Elby Rogers
New Castle, DE

TO AUTUMN,
THE WHITE TIGER OF THE WEST,
WE ARE IN MOURNING

THE WORMS HAVE ARRIVED
TO FEAST
UPON YOUR BODY
WHAT A GRAND BUFFET

Ernestus Jiminy Chald
Chicago, IL

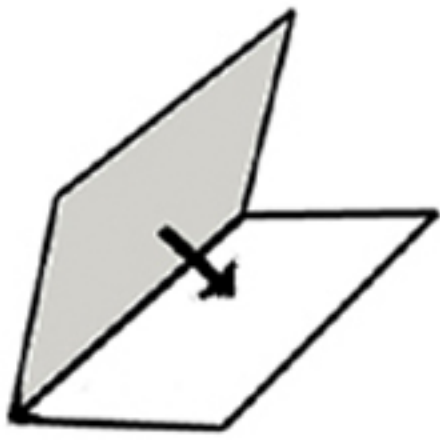


A SMALL SKELETON
! ITS SPINE A BEADED COMB!
IN SHADOWED GRASS

Jane Miller
Wilmington, DE

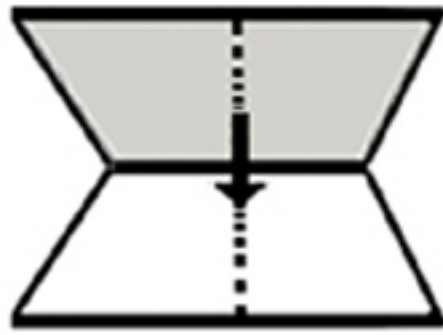
HOW TO FOLD A MINI-ZINE

STEP 1.



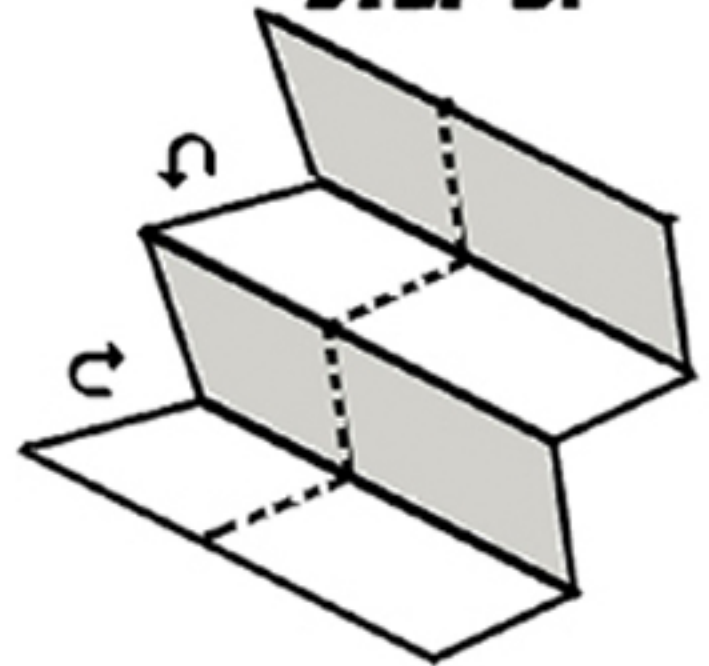
Fold in half length-wise

STEP 2.



Fold in half width-wise

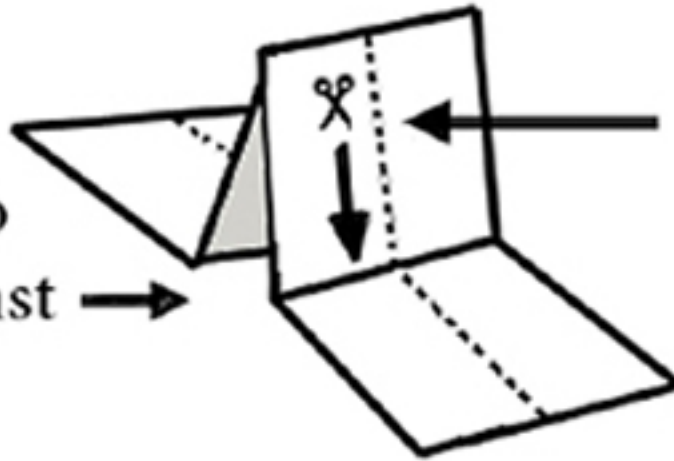
STEP 3.



Tri-fold sheet length-wise

STEP 4.

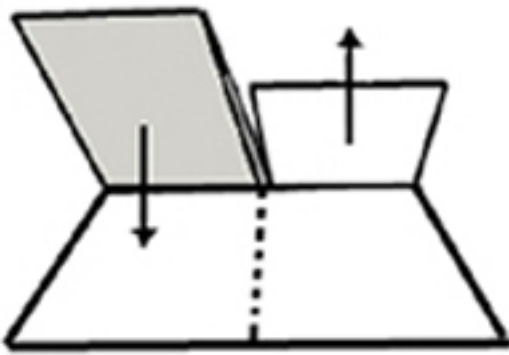
Pinch up middle make sure the two sides are flat against one another



STEP 5.

Taking a scissors; cut down the center of just the raised portion

STEP 6.



Taking raised parts; fold one flap up & fold one flap down so each is facing in opposite directions

STEP 7.



now bring both sides together to form a square

STEP 8.



Fold the square together one more time and that's it. If you've done step 6 right, the cover should be on one side and the back on the other side. *

* if the cover is not on the front, no worries just unfold and repeat step 6 but reverse order in which you flipped the raised sides.